

UNLESS OTHERWISE SPECIFIED: DIMENSIONS ARE IN INCHES SURFACE FINISH: TOLERANCES: LINEAR: ANGULAR:				FINISH:		DEBURR AND BREAK SHARP EDGES		DO NOT SCALE DRAWING		REVISION	
								TITLE:			
DRAWN				NAME		SIGNATURE		DATE			
CHK'D											
APPV'D											
MFG											
Q.A								MATERIAL:		DWG NO.	
										rugermkll	
								WEIGHT:		SCALE:1:2	
										SHEET 1 OF 3	

D

C

B

A

6

5

4

3

2

1

6

5

4

3

2

1

6

5

4

3

2

1

D

D

C

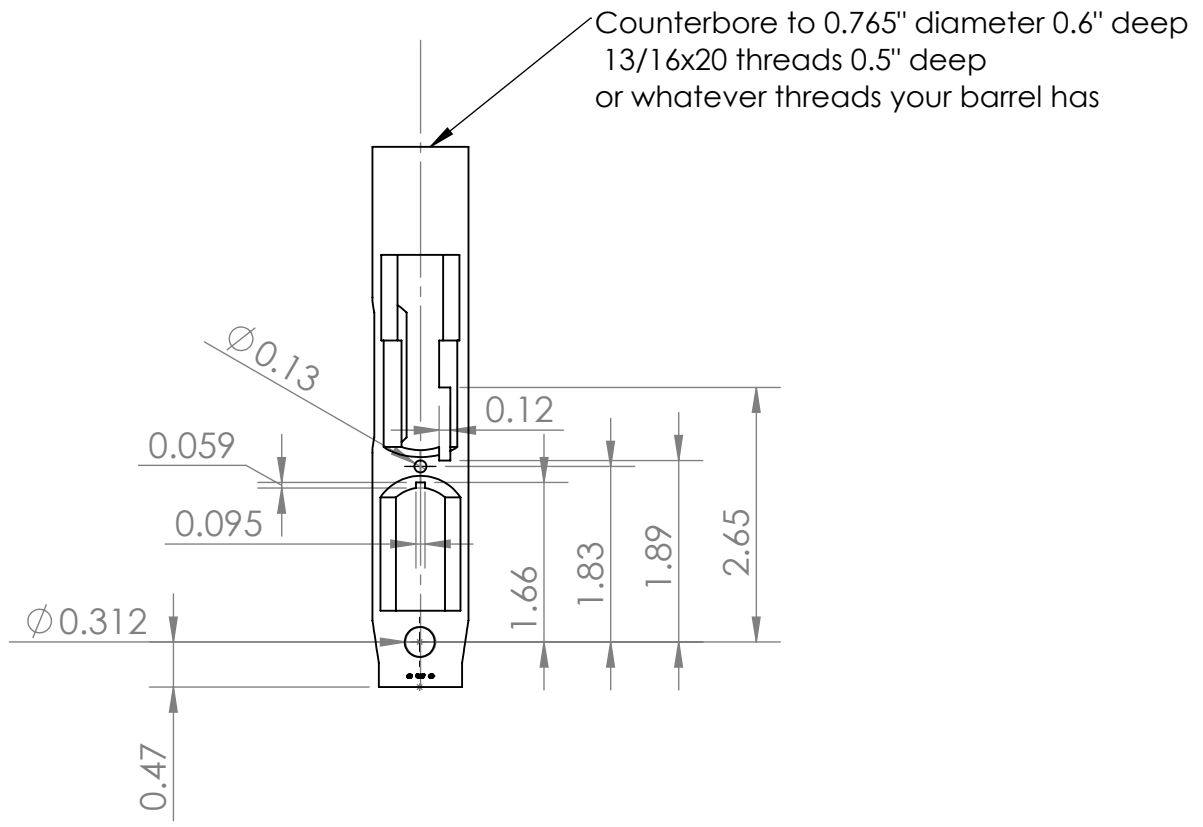
C

B

B

A

A



UNLESS OTHERWISE SPECIFIED: DIMENSIONS ARE IN INCHES SURFACE FINISH: TOLERANCES: LINEAR: ANGULAR:				FINISH:		DEBURR AND BREAK SHARP EDGES		DO NOT SCALE DRAWING		REVISION	
DRAWN				SIGNATURE		DATE		TITLE:			
CHK'D											
APPV'D											
MFG											
Q.A								MATERIAL:		DWG NO.	
										rugermkll	
										A4	
								WEIGHT:		SCALE:1:2	
										SHEET 2 OF 3	

6

5

4

3

2

1

6

5

4

3

2

1

D

D

C

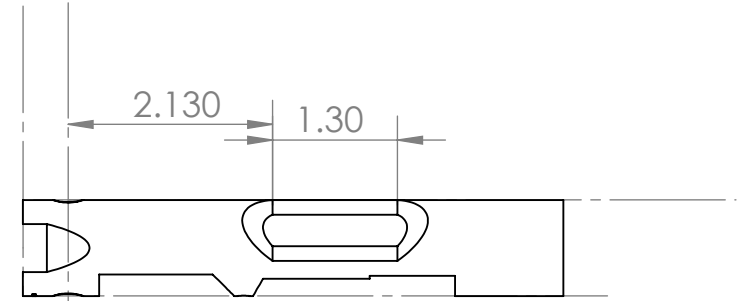
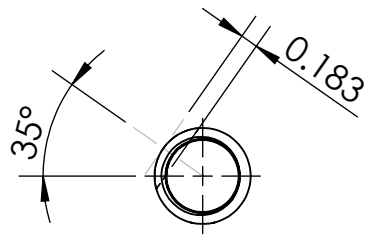
C

B

B

A

A



UNLESS OTHERWISE SPECIFIED: DIMENSIONS ARE IN MILLIMETERS SURFACE FINISH: TOLERANCES: LINEAR: ANGULAR:				FINISH:		DEBURR AND BREAK SHARP EDGES		DO NOT SCALE DRAWING		REVISION	
								TITLE:			
DRAWN		NAME		SIGNATURE		DATE					
CHK'D											
APPV'D											
MFG											
Q.A								MATERIAL:		DWG NO.	
										rugermkll	
								WEIGHT:		SCALE:1:2	
										SHEET 3 OF 3	

6

5

4

3

2

1